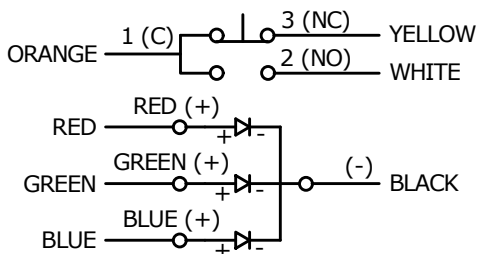
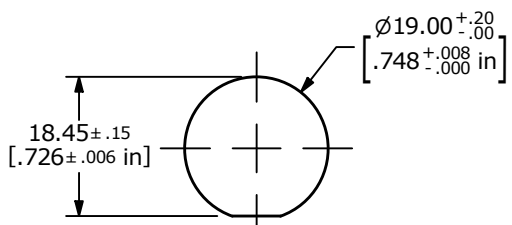


SWITCH	WIRE	LENGTH
SW1-1	WIRE, 24AWG AWM UL1015, ORANGE	300.0 [11.8 in]
SW1-2	WIRE, 24AWG AWM UL1015, WHITE	300.0 [11.8 in]
SW1-3	WIRE, 24AWG AWM UL1015, YELLOW	300.0 [11.8 in]
SW1-RED (+)	WIRE, 24AWG AWM UL1015, RED	300.0 [11.8 in]
SW1-GREEN (+)	WIRE, 24AWG AWM UL1015, GREEN	300.0 [11.8 in]
SW1-BLUE (+)	WIRE, 24AWG AWM UL1015, BLUE	300.0 [11.8 in]
SW1- (-)	WIRE, 24AWG AWM UL1015, BLACK	300.0 [11.8 in]

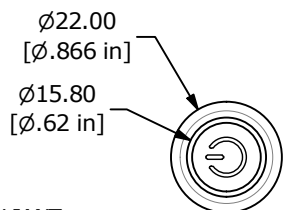


**SCHEMATIC**

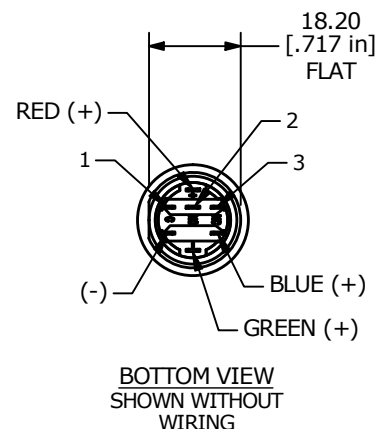
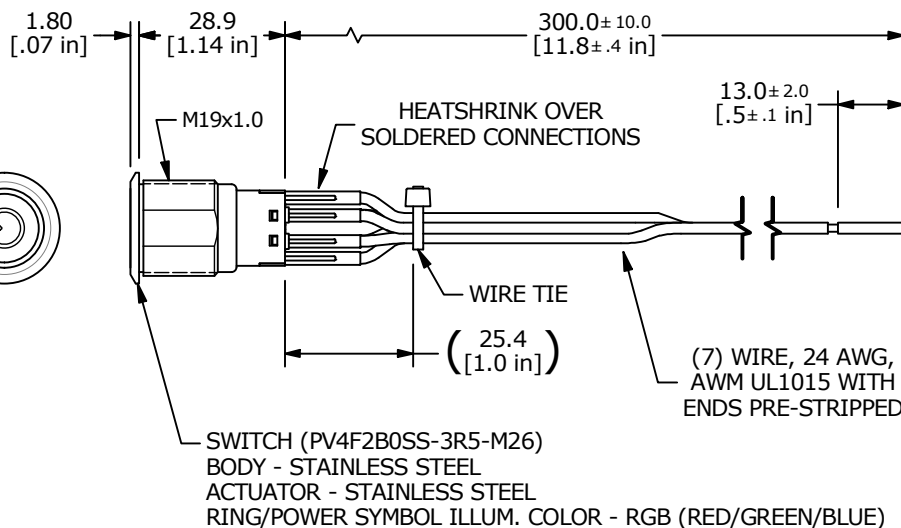
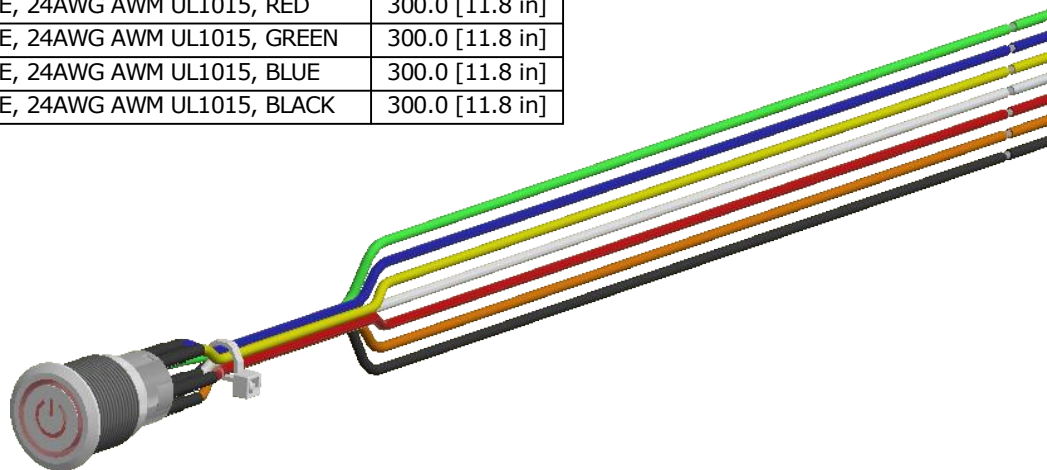
ON - (ON) - DPDT ILLUMINATED  
 ( ) DENOTES MOMENTARY FUNCTION



Recommended PANEL CUTOUT  
 MAX. PANEL THICKNESS:  
 11.0 [0.43 in]



- NOTES:
1. DIMENSIONS IN MM [INCH]
  2. ALL MATERIAL SHALL BE ROHS COMPLIANT
  3. TERMINAL NUMBERS FOR REF. ONLY
  - ▲ 4. CONTACT MATERIAL: SILVER
  5. RATING: 2A 24VDC
  - ▲ 6. LAMP VOLTAGE: 24V
  7. INGRESS PROTECTION: IP67
  8. TRAVEL: 2.8mm
  9. OPERATING TEMP.: -25°C to 55°C
  10. INSULATION RESISTANCE: 1,000 MΩ MIN.
  11. CONTACT RESISTANCE: 50mΩ MAX. @ 1A 12VDC
  12. DIELECTRIC STRENGTH: 2,000 VAC MIN. FOR 1 MINUTE
  13. ELECTRIC LIFE: 50,000 MAKE-AND-BREAK CYCLES AT FULL LOAD
  14. ▲ DENOTES CRITICAL PARAMETER.
  - ▲ 15. SUPPLIED HARDWARE: O-RING AND HEXNUT
  16. USE PART NUMBERS DESIGNATED OR ENGINEERING APPROVED EQUIVALENTS.



TITLE PV4FWB0SS-3R5-M26				
SCALE 2:3	DATE 9/16/2020	DR MW	DWG 52-PV4FWB0SS3R5M26	REV A